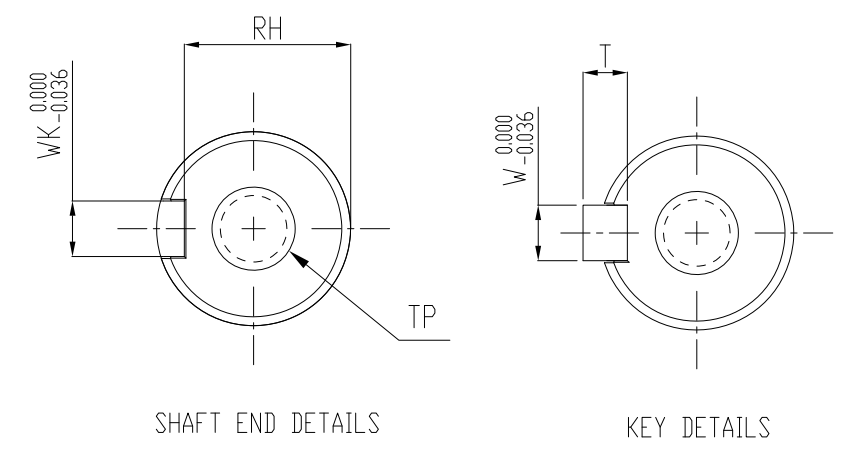


REV. ECN NO.

MODEL	LL	LC	LE	LG	LB	LZ	LA	LR	LS	S	LW	WK	W	T	RH	H	HS	TP
ECM-B3M-F□1830SS1	212.5	180	4	18	114.3	13.5	200	79	73	35	63	10	10	8	30	139	48.5	M12, Depth 25
ECM-B3M-E□1830SS1	201.5	180	4	18	114.3	13.5	200	79	73	35	63	10	10	8	30	139	48.5	M12, Depth 25
ECM-B3M-E□1820SS1	189.5	180	4	18	114.3	13.5	200	79	73	35	63	10	10	8	30	139	48.5	M12, Depth 25
ECM-B3M-F□1845SS1	226	180	4	18	114.3	13.5	200	79	73	35	63	10	10	8	30	139	48.5	M12, Depth 25
ECM-B3M-L□1830SS1	212.5	180	4	18	114.3	13.5	200	79	73	35	63	10	10	8	30	139	48.5	M12, Depth 25
ECM-B3M-K□1820SS1	189.5	180	4	18	114.3	13.5	200	79	73	35	63	10	10	8	30	139	48.5	M12, Depth 25
ECM-B3M-L□1845SS1	226	180	4	18	114.3	13.5	200	79	73	35	63	10	10	8	30	139	48.5	M12, Depth 25
ECM-B3M-F□1855S31	265	180	4	18	114.3	13.5	200	113	108.5	42	90	12	12	8	37	144.5	48.5	M16, Depth 32
ECM-B3M-F□1875S31	307.1	180	4	18	114.3	13.5	200	113	108.5	42	90	12	12	8	37	144.5	51	M16, Depth 32
ECM-B3M-L□1855S31	265	180	4	18	114.3	13.5	200	113	108.5	42	90	12	12	8	37	144.5	48.5	M16, Depth 32
ECM-B3M-L□1875S31	307.1	180	4	18	114.3	13.5	200	113	108.5	42	90	12	12	8	37	144.5	51	M16, Depth 32



台達電子工業股份有限公司 DELTA ELECTRONICS, INC.	DRAWN:	DESIGN:
	APPROVE:	DATE: 06/09/2021
THESE DRAWINGS AND SPECIFICATIONS ARE THE PROPERTY OF DELTA ELECTRONICS, INC. AND SHALL NOT BE REPRODUCED OR USED AS THE BASIS FOR THE MANUFACTURE OR SELL OF APPARATUS OR DEVICES WITHOUT PERMISSION.	DIMENSIONAL TOLERANCES () () () () ANGLES DECIMALS <50 ±0.1 <50 ±0.15 <50 ±0.2 <30° ±0.1 X.X ±0.2 >100'20±0.2 >100'20±0.25 >50'100±0.25 >30'60±0.3 X.XX±0.1 >200' ±0.2% >200' ±0.25% >200' ±0.3%	
	DESCRIPTION: CONFIDENTIAL ECM-B3M-F180-BRAKE	A3 SIZE THIRD ANGLE PROJECTION
USED ON	UNIT	SCALE
	(M)	
		01